



QUALITY CHANGES THE WORLD



WeChat account of Sany Heavy Machinery Official Douyin account of Sany Heavy Machinery

SANY HEAVY MACHINERY CO., LTD.

Address: Sany Industrial Park, Dongcheng Avenue, Economic and Technological Development Zone, Kunshan City, Jiangsu Province, Postal Code: 215300
After-sales service hotline: 400-828-2318 Consultation and complaint hotline: 400-887-9318
Website: <http://www.sanygroup.com>

This manual intends to be as comprehensive and detailed as possible on the basis of the existing information. Considering the continuous technological advancements and updates of Sany Heavy Machinery Co., Ltd., the technical parameters, configurations and other information of the product may be modified and adjusted at any time. Therefore, this product manual is for reference only, and the appearance, configuration, technical parameters, etc. of specific models are subject to the actual models sold by the dealer.

Published in October 2023

SKID STEER LOADER SS270V

Rated Power: 53.7 kW (73 hp) / 2400 rpm
Operating Weight: 4,250 kg/9,370 lb
Rated Operating Capacity: 1,290 kg/2,850 lb
High Flow: 125 L/min / 33 gpm



Comfort



Safety



Intelligence



Efficiency



Accessibility



Versatility

SKID STEER LOADER

As a kind of compact earthmoving machinery, the skid steer loader is nimble and able to pivot 360 degrees in place by utilizing the speed difference between the two side wheels. Benefitting from the design of quick couplers, different attachments can be attached in minutes to meet various demands in general construction, agriculture, utility, and landscaping.

SS270V is a new masterpiece of SANY. Based on SANY excavator's mature R&D platform and rigorous testing system, its durability has been tested for more than 3000 hours. And it will have an awesome performance because of its following six highlights.



© Bulk Shovel Loading



© Site Cleaning



© Road Milling



© Material Handling

SIX HIGHLIGHTS



Comfort



Safety



Intelligence



Efficiency



Accessibility



Versatility





COMFORT



Ergonomic Joystick

Adjustable Air Outlet

Safety Armrest

Suspension Seat

Adjustable Air Outlet



SPACIOUS CAB

- The cab has an interior width of 950 mm, providing ample space and depth for a comfortable experience.

LOW NOISE

- Adopting an integrated cab with good sealing.
- The temperature-control fan with large diameter can dissipate heat independently, making low noise.

WORK with OPEN FRONT DOOR

- It's accessible to work with open front door which can be flipped up to the top of the cab through an unique connecting rod mechanism.



AIR CONDITIONING SYSTEM

- Integrated cooling and heating, powerful and comfortable.
- Wind speed and direction, foot blow and defrosting, adjustable as desired.

TOUCH DISPLAY

- 7-inch LCD screen, anti-glare.
- Integrated with the control of equipment including rearview camera, air conditioning, radio, etc.



ERGONOMIC DESIGNS

- The safety armrest features a streamlined design and armrest function, providing a comfortable and fatigue-free support.
- The joystick, buttons, and scroll wheel are arranged according to ergonomics for comfortable operation.

CONSIDERATE DESIGNS

- Considerate designs such as 12V power socket, cup holder, storage bag, etc., for convenient use by the operator.



MULTIPLE PROTECTION

- ◎ It's necessary to lower the safety armrest and unlock the one-click before operating the machine.
- ◎ Equipped with ROPS&FOPS cab, side window protection net, boom safety rod, and rotating warning light to ensure safety.
- ◎ Equipped with emergency unloading valve and escape window, practicing the concept of "life is the most important, and there is no price for life."



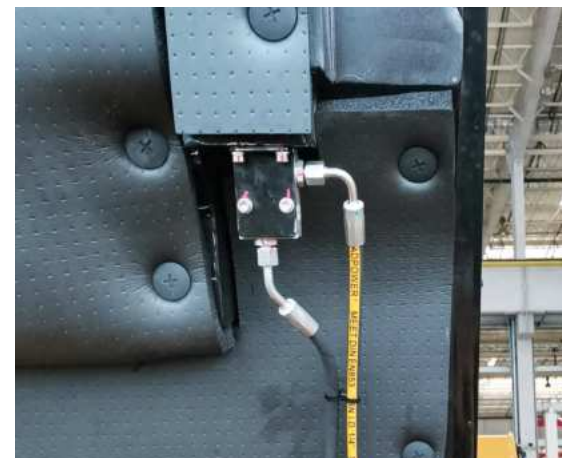
SAFETY ARMRESTS: The safety armrests must be lowered before any operation.



PROTECTIVE NET: It prevents personnel injuries caused by splashing or falling stones, etc.



ROTATING WARNING LIGHT: It always reminds people around to maintain a safe distance.



EMERGENCY UNLOADING: Lower the boom in emergency situations to ensure safety.



ESCAPE WINDOW: emergency exit.



VISIBILITY

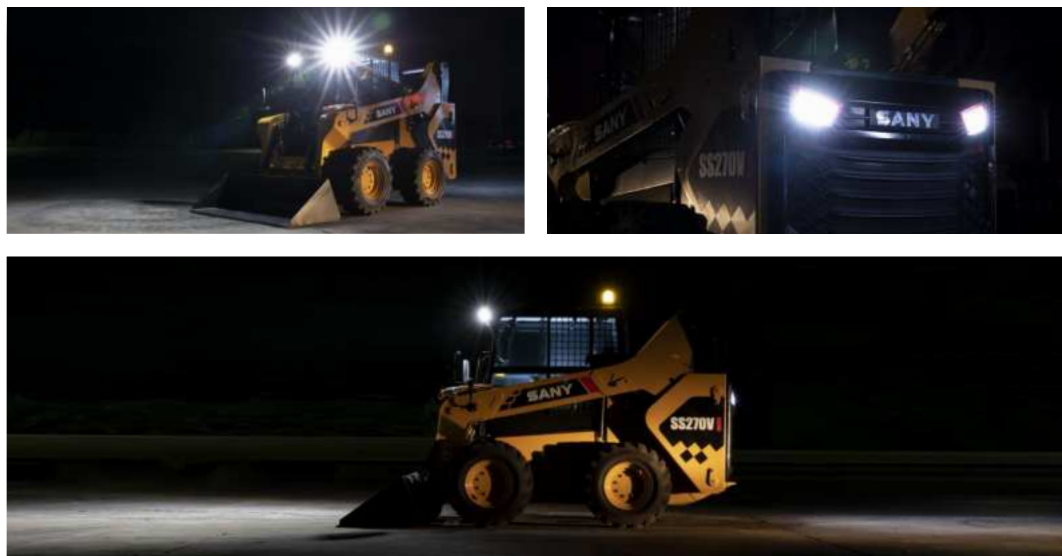
- The reversing camera system and interior rearview mirror provide an ideal view behind the machine.
- Panoramic view design for front and sides to minimize unnecessary obstruction.



Front view + rear view + reverse image + rearview mirror

NIGHT LIGHTING

- The high-brightness LED lights are equipped at the front and rear. The combined tail light integrates lighting, warning and steering functions to ensure construction safety at night.





SMOOTH SHOVELING

- No spreading happens in shovel transport as for its configuration of ride control system and self-leveling system.

PRECISE CONTROL

- The response and micro-mobility are great because of the hydraulic pilot control.
- Adopting DA power distribution technology to prevent flameout intelligently.

INTELLIGENT OPERATION

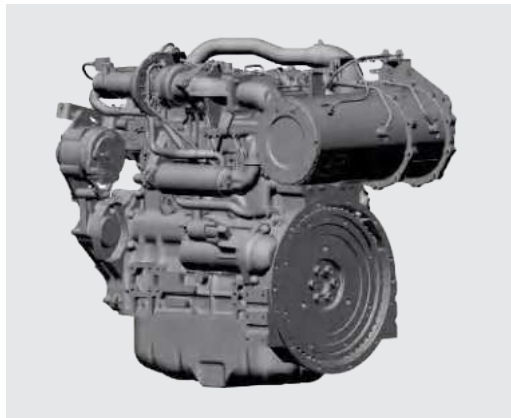
- One-click startup is available to eliminate the trouble of carrying the key. And a password can be set to ensure the safety of your equipment.
- The maintenance reminders and fault alarms can be seen in the display by the transmission via CAN bus, allowing for real-time monitoring of machine status.





POWERFUL

- Both the power and traction are strong benefiting from its powerful YANMAR engine and a low-speed and high-torque motor.
- Based on its vertical lifting structure, large breakout force was achieved through the combination between the excellent point design and strong thrust cylinder.

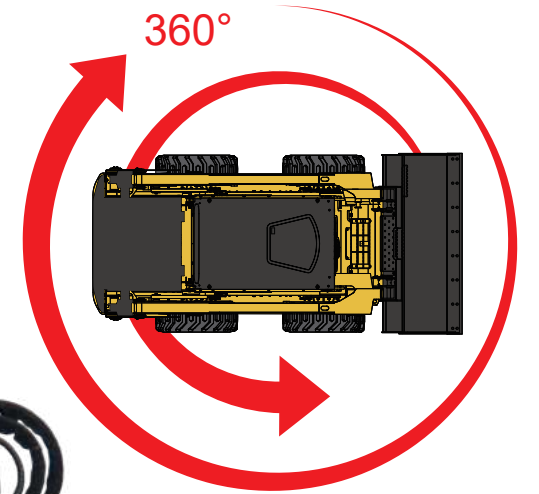


HIGH UNLOADING HEIGHT

- The maximum hinge height reaches 3,350 mm, making truck loading easier.

PIVOT 360 DEGREE IN PLACE

- It can pivot 360 degree in place benefiting from its compact structure, making it possible to work in confined spaces.



EFFICIENT

- Configured with dual speeds, with a maximum speed of 20 km/h, achieving efficient transfer.



MULTIFUNCTIONAL

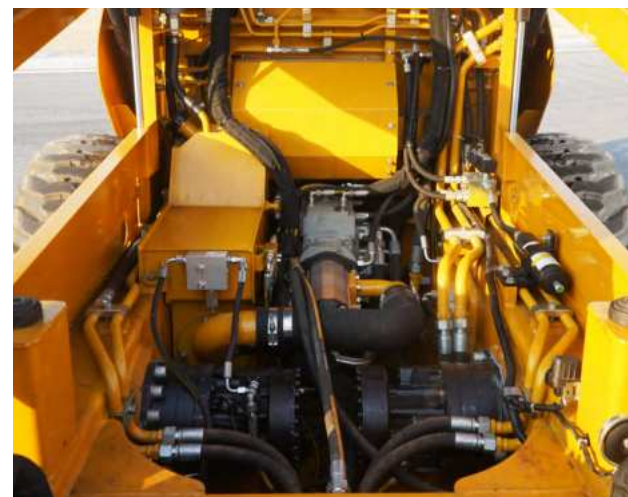


VERSATILITY

Standard and high flows are available, making that various attachments can be used to meet different assignments, such as buckets, sweepers, snow blowers, cold planers, forks, forest mulchers, etc.

SPACIOUS AND ACCESSIBLE

- The tailgate can be opened fully, and the mesh cover can be flipped up, allowing for easy access to all parts from the ground during routine maintenance.
- The entire cab can be flipped backward, providing enough spaces for inspecting and repairing components such as pumps, motors, and valves, making maintenance convenient.



Bucket



Sweeper



Snow Blower



Cold Planer



Fork

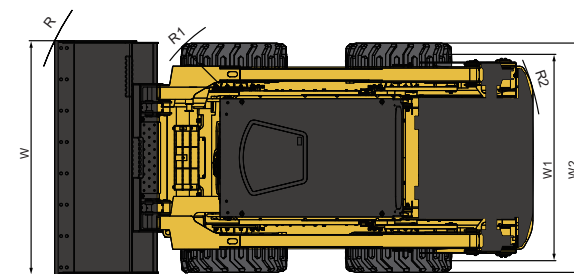
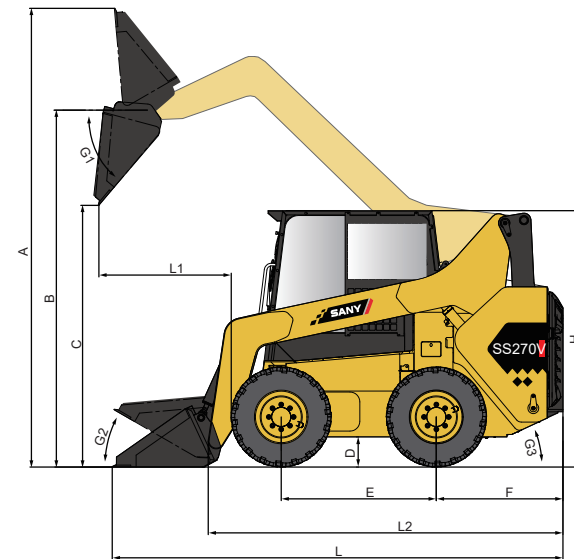


Forest Mulcher



OVERALL DIMENSIONS

OVERALL DIMENSIONS	SS270V
A Maximum Overall Height	4200 mm/ 165.5 in
B Bucket Pin Height at Maximum Lift	3350 mm/ 132 in
C Clearance at Maximum Lift and Dump	2620 mm/ 103.2 in
L1 Reach at Maximum Lift and Dump	985 mm/ 38.8 in
D Ground Clearance	228 mm/ 9 in
E Wheelbase	1300 mm/ 51.2 in
F Bumper Overhang behind Rear Axle	1050 mm/ 41.4 in
R Turning Radius from Center-Bucket	2230 mm/ 87.9 in
R1 Turning Radius from Center-Coupler	1352 mm/ 53.3 in
R2 Turning Radius from Center-Machine Rear	1733 mm/ 68.3 in
G1 Maximum Dump Angle	43°
G2 Rollback Angle of Bucket on Ground	30°
G3 Departure Angle	25°
L2 Length without Bucket	2991 mm/ 117.8 in
L Length with Bucket on Ground	3756 mm/ 148 in
W1 Wheel Track	1485 mm/ 58.5 in
W2 Over the Tire Width	1820 mm/ 71.7 in
W Over the Bucket Width	1880 mm/ 74.1 in
H Height to Top of Cab	2100 mm/ 82.7 in



TECHNICAL SPECIFICATIONS

PERFORMANCE	
Rated Operating Capacity	1290 kg/2850 lb
Operating Weight	4250 kg/9370 lb
Bucket Capacity	0.5 m³/0.73 yd³
Tipping Load	2580 kg/5700 lb
Breakout Force, Tilt Cylinder	28.8 kN/6670 lb
Breakout Force, Boom	25.5 kN/5737 lb
Lift Geometry	Vertical Lift
Travel Speed One	11.1 km/h/6.9 mph
Travel Speed Two	20 km/h/12.4 mph
Cycle Time (Raise/Lower/Dump)	9.3 s
Tire Size	12-16.5 14 PR

HYDRAULIC SYSTEM	
Loader Hydraulic Pressure	230 bar/3335.9 psi
Standard Hydraulic Flow	90 L/min/23.8 gal/min
High Hydraulic Flow	125 L/min/33 gal/min

POWER SYSTEM	
Engine Model	YANMAR 4TNV98CT
Engine Speed	2400 rpm
Rated Power	53.7 kW/73 hp
Peak Torque	280N·m/206 lbf-ft @1560rpm
Displacement	3.3 L/203 in³
Bore x Stroke	φ98X110 mm/φ3.9 x4.3 in
Aspiration	Turbo-charger
Emissions	Stage V

CAPACITY	
Battery Capacity	140 Ah
Hydraulic Tank	39 L/10.3 gal
Engine Oil	9.4 L/2.5 gal
Cooling System	12 L/3.2 gal
Chain Box, Each Side	9.5 L/2.5 gal
Diesel Tank	100 L/26.4 gal

STANDARD CONFIGURATIONS

ELECTRICAL SYSTEM

- Backup Alarm ●
- Heavy Duty Battery, 950 CCA ●
- LED Front and Rear Lights ●
- One-click Startup ●
- 7-inch Touch Screen ●
- Rearview Camera System ●
- 12 volt Electric Socket ●
- USB Power Port ●
- 14-pin Electric Socket ●
- Electrical Outlet, Beacon ●
- Audio System ●
- Pedal Throttle Control ●
- Radio ●
- Bluetooth ●

CABIN

- ROPS/FOPS Cab, Tilt Up ●
- Emergency Exit ●
- Fully Automatic Air Conditioning ●
- Mechanical Suspension Seat ●
- Rearview Mirror ●
- Retractable Safety Belt ●
- Safety Armrest ●

HYDRAULIC SYSTEM

- Multi-function Joystick ●
- ISO Pilot Control ●
- Two-speed Travel ●
- Bucket Self-leveling System ●
- Hydraulic Quick Coupler ●
- High Hydraulic Flow ●
- Boom Damping System ●

OPTIONAL CONFIGURATIONS

- Air Suspension Seat ○
- Bucket Teeth ○
- Assembled Blade Plate ○
- Solid Tires ○

● indicates standard configuration ○ indicates optional configuration



